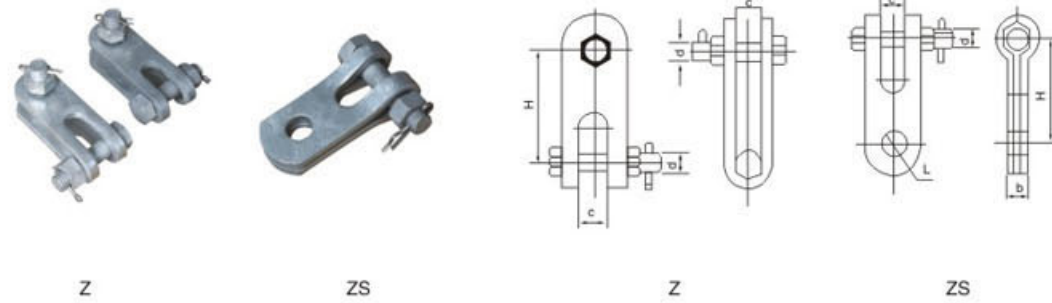




CHINA JINWANG ELECTRICAL

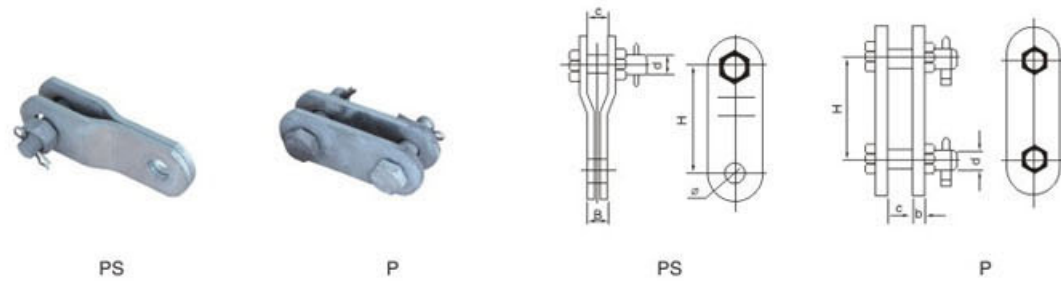
Z ZS Type Clevis



Type	Dimensions (mm)			Failure load (K/N)	Weight (kg)
	C	d	H		
Z-7	18	16	80	≥ 70	0.64
Z-10	20	18	80	≥ 100	0.83
Z-12	24	22	100	≥ 120	1.32
Z-16	26	24	100	≥ 160	2.48

Type	Dimensions (mm)					Failure load (K/N)	Weight (kg)
	C	B	d	∅	H		
ZS-7	18	16	16	20	80	≥ 70	0.58
ZS-10	20	18	18	20	80	≥ 100	0.90

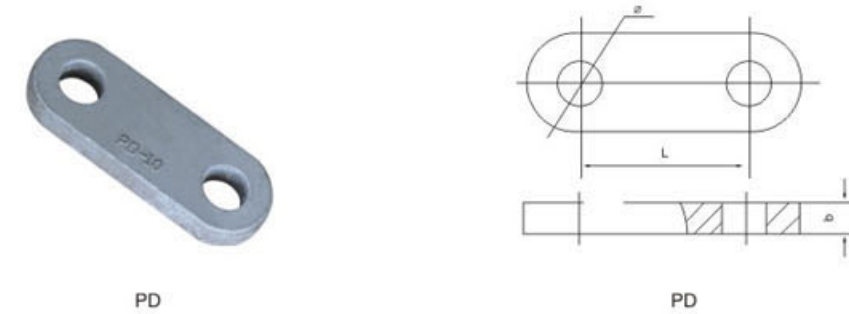
P PS Type Parallel Hang Plate



Type	Insulator type	Dimensions (mm)					Failure load (K/N)	Weight (kg)
		C	b	d	∅	H		
PS-7	X-4.5C	18	16	16	20	90	≥ 70	0.53

Type	Dimensions (mm)				Failure load (K/N)	Weight (kg)
	h	C	d	H		
P-7	6	18	16	70	≥ 70	0.60
P-10	8	20	18	80	≥ 100	0.85
P-12	10	24	22	90	≥ 120	1.52
P-16	12	26	24	100	≥ 160	2.42

PD Type Hang Plate



Type	Dimensions (mm)				Failure load (K/N)	Weight (kg)
	C	d	H	H		
UB-7	18	16	70	45	≥ 70	0.75
UB-10	20	18	80	45	≥ 100	1.08
UB-12	24	22	100	60	≥ 120	2.82
UB-16	26	24	100	60	≥ 160	2.90

Type	Dimensions (mm)			Failure load (K/N)	Weight (kg)
	b	∅	L		
PD-6A	12	18	70	≥ 60	0.35
PD-7	16	18	70	≥ 70	0.45
PD-10	16	20	80	≥ 80	0.67
PD-12	16	24	100	≥ 100	0.94



U Bolt

Type	C	d	d2	L1	L2
U-1880	80	M18	18	90	60
U-2080	80	M20	20	100	70
U-2280	80	M22	22	118	90

JK Steel Guy Clip

Type	Steel wire (mm)	Dimensions (mm)				Weight (kg)
		d	L	C	R	
JK-1	6.6-7.8	10	54	22	5	0.20
JK-2	9.0-11.5	10	72	28	6	0.32